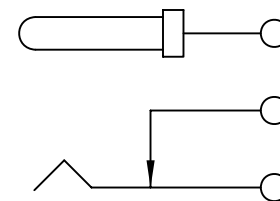
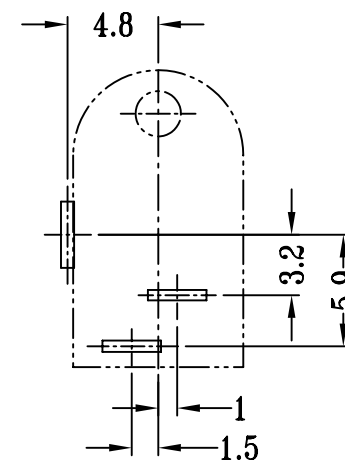
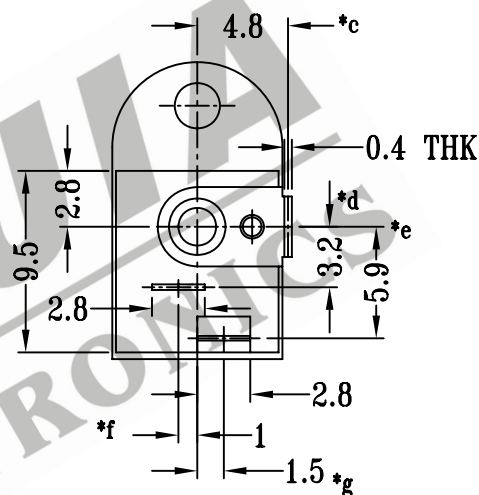
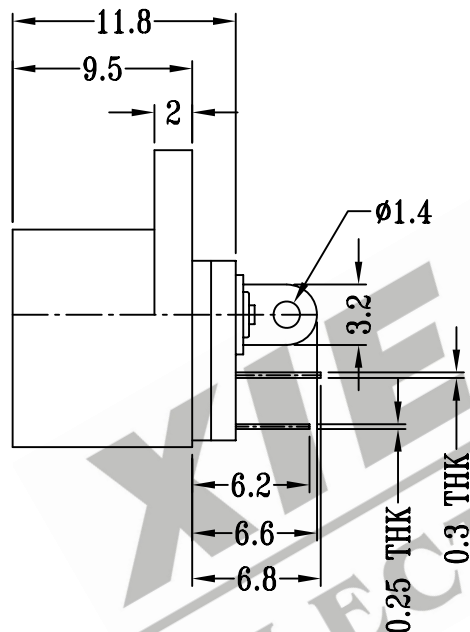
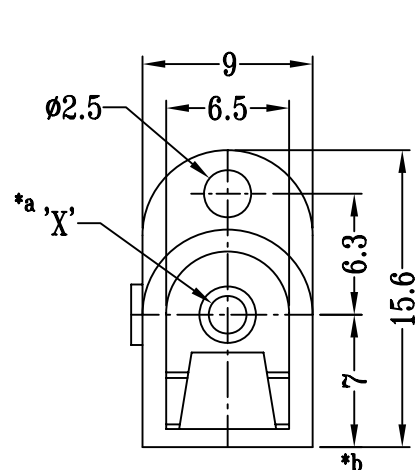


CAD FILE:



SCHMATIC



P.C.B LAYOUT

注：“*”表示关键尺寸（7个）

DIA. OF PIN 'X' A=2.5mm
DIA. OF PIN 'X' B=2.0mm
DIA. OF PIN 'X' C=2.35mm

NO.	PARTS	MATERIALS	Q'TY	FINISH	TOLERANCE UNLESS SPECIFIED	SHENZHEN XIEJIA ELECTRONICS CO.,LTD.																										
8						<table border="1"> <tr> <td>ISSUE</td> <td>DATE</td> <td>DESCRIPTIONS OF REVISION</td> <td>APPD.</td> </tr> </table>				ISSUE	DATE	DESCRIPTIONS OF REVISION	APPD.																			
ISSUE	DATE	DESCRIPTIONS OF REVISION	APPD.																													
7																																
6	CONTACT	BRASS STRIP	1	Ag PLATED OVER Ni PLATED	WITHIN: 1.5±0.1mm OVER: 1.5±0.2mm	<table border="1"> <tr> <td colspan="2">TITLE : DC POWER JACK</td> <td>UNIT : mm</td> <td colspan="2">DRWG NO.: XJ-DR-DS235-00</td> </tr> <tr> <td colspan="2">MODEL: DS-235</td> <td>SCALE: 5:2</td> <td>DWN.</td> <td>ZHOUYU</td> <td>2005-3-23</td> </tr> <tr> <td colspan="2"></td> <td></td> <td>CHK'D</td> <td>FANGYING</td> <td>2005-3-23</td> </tr> <tr> <td colspan="2"></td> <td></td> <td>APPD.</td> <td>KANGXINAN</td> <td>2005-3-23</td> </tr> </table>				TITLE : DC POWER JACK		UNIT : mm	DRWG NO.: XJ-DR-DS235-00		MODEL: DS-235		SCALE: 5:2	DWN.	ZHOUYU	2005-3-23				CHK'D	FANGYING	2005-3-23				APPD.	KANGXINAN	2005-3-23
TITLE : DC POWER JACK		UNIT : mm	DRWG NO.: XJ-DR-DS235-00																													
MODEL: DS-235		SCALE: 5:2	DWN.	ZHOUYU	2005-3-23																											
			CHK'D	FANGYING	2005-3-23																											
			APPD.	KANGXINAN	2005-3-23																											
5	TERMINAL	BRASS STRIP	1	Ag PLATED OVER Ni PLATED																												
4	SPRING TERMINAL	STAINLESS STEEL	1	Ag PLATED OVER Ni PLATED																												
3	BASE	PC	1	BLACK																												
2	CASE	PC	1	BLACK																												
1	PLUG PIN	BRASS	1	Ni PLATED																												
NO.	PARTS	MATERIALS	Q'TY	FINISH	ALL MATERIALS MUST BE COMPLIANT TO ROHS																											